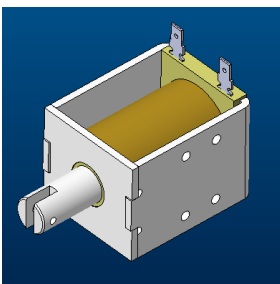
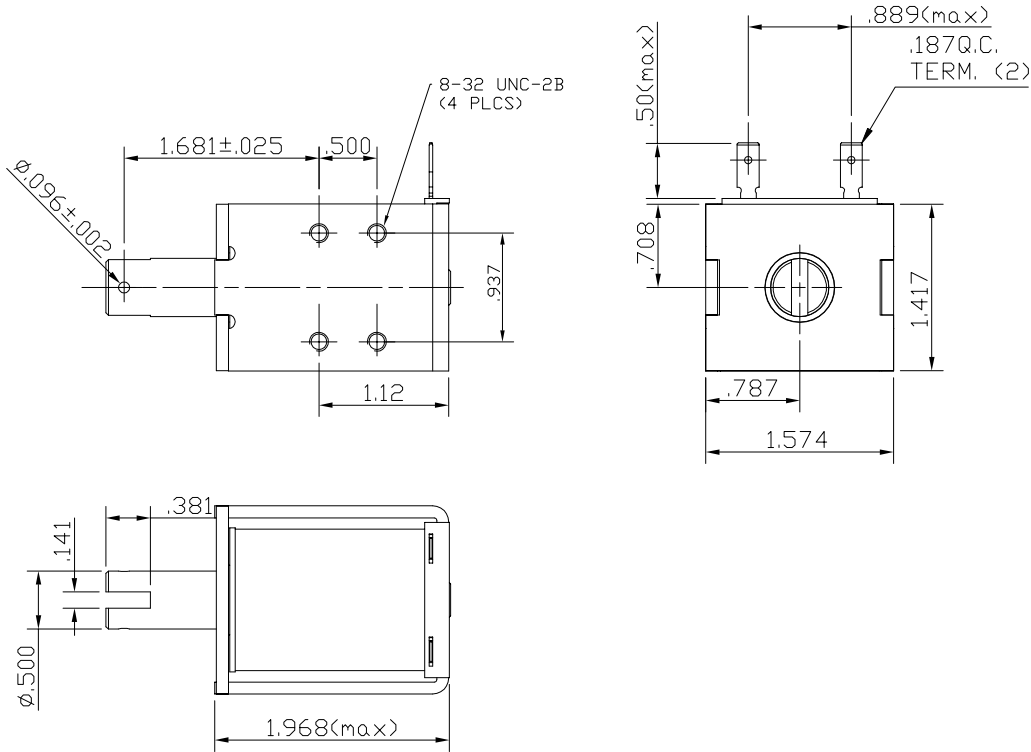


SOLENOID PRODUCT SPECIFICATION

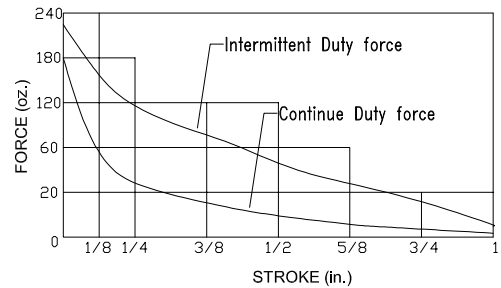
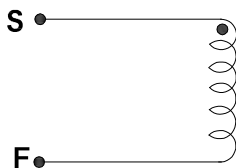
PART No.	VOLTAGE	DUTY CYCLE	POWER (W)	CURRENT (A)	DCR (Ω) *
DSOL-1351-05C	5 VDC	100%	11	2.2	2.3
DSOL-1351-05E	5 VDC	25%, 60sec On	44	8.9	0.6
DSOL-1351-12C	12 VDC	100%	11	1.0	13.0
DSOL-1351-12E	12 VDC	25%, 60sec On	44	3.7	3.3
DSOL-1351-24C	24 VDC	100%	11	0.5	52.0
DSOL-1351-24E	24 VDC	25%, 60sec On	44	1.9	13.0

DRAWING SHOWN SOLENOID ENERGIZED

* Release value are ±10% at 25°C.
 * DCR VALUES ARE ±10% AT 25°C



2. SCHEMATIC AND CONSTRUCTION :



UNIT : inch. (Stroke)
 : oz. (Force)

UNLESS TOLERANCES.

X.X = ±0.02
 X.XX = ±0.01
 ANGLES = ±1°

INSULATION MATERIALS: UL CONSTRUCTION, CLASS B 130°C
 LIFE EXPECTANCY: 100K CYCLES OPERATIONS

LAYER TEST	IR. @500 Vdc.	HI-POT
(S-F) 500Vp. MIN.	COIL TO FRAME	@50/60Hz., 2mA
TEST ONLY COIL	50 MOHM MIN.	COIL TO FRAME
		1200Vac., 1s