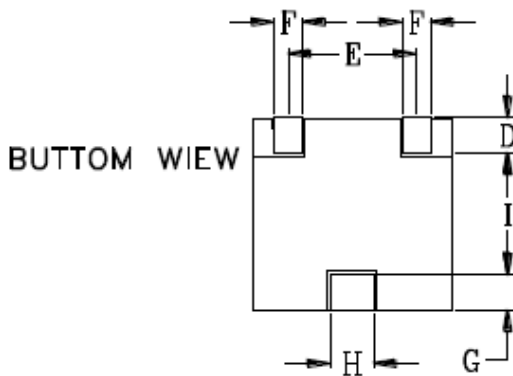
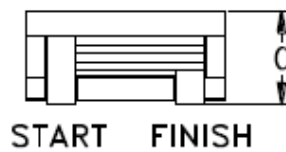
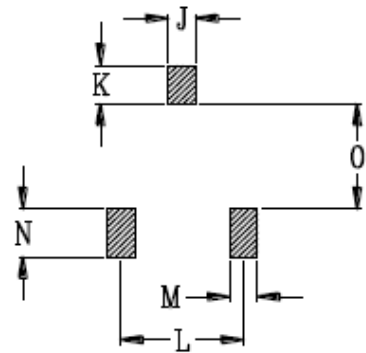
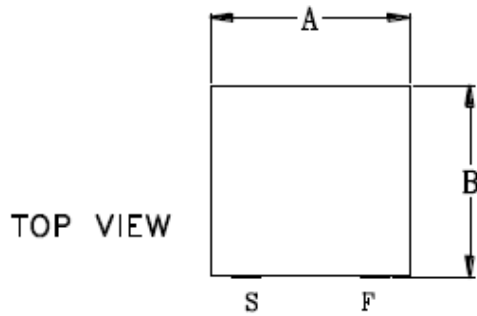




DELTA P/N : HMP1710 Series

Mechanical dimensions



UNIT : mm

A = 17.5 MAX

B = 16.7 MAX.

C = 10.0 MAX

D = 3.0±0.3

E = 11.4±0.5

F = 2.4

G = 2.5

H = 2.5

I = 10.5

J = 3.0

K = 3.25

L = 11.4

M = 3.4

N = 4.05

O = 9.5

Electrical Characteristics: @25°C, 100kHz, 1V

| Delta P/N | L ¹ (uH) | Li (uH) MIN | DCR (mΩ) MAX | Isat ² (A) | Ir ³ (A) |
|--------------|------------------------|----------------|-----------------|--------------------------|------------------------|
| HMP1710M-2R0 | 2.0 | 1.44 | 1.3 | 37 | 54 |
| HMP1710-3R3 | 3.3 | 2.4 | 1.8 | 27.5 | 25 |
| HMP1710-4R7 | 4.7 | 3.4 | 2.9 | 25 | 22 |
| HMP1710-6R8 | 6.8 | 4.9 | 5.6 | 25 | 14 |

1. Tolerance of inductance : ± 20%
2. Isat is the DC current which causes the inductance drop not less than Li
3. Ir is the DC current which causes the surface temperature of the part increase approximately 45 °C .
4. Operating temperature: -40°C to 125°C (Self-temperature rise included).