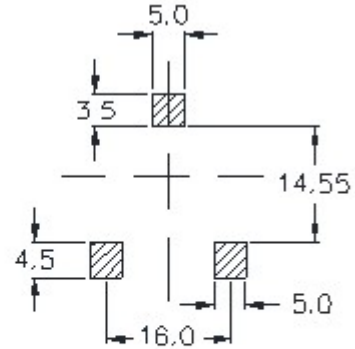
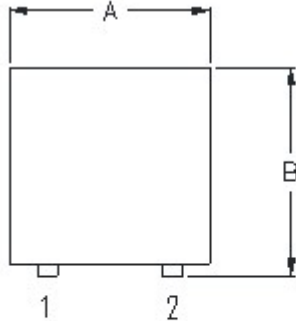


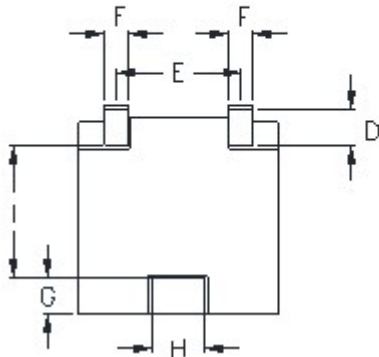
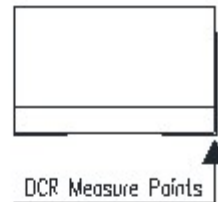


DELTA P/N : HMP241X Series

Mechanical dimensions



Suggested PWB Layout(mm)



UNIT : mm

A = 23.5 MAX

B = 24.0 MAX

D = 3.5±0.5

E = 16.0±0.5

F = 4.0

G = 3.0

H = 4.0

I = 15.3

Electrical Characteristics: @25°C, 100kHz, 1V

Delta P/N	L ¹ (uH)	Li (uH) MIN	DCR (mΩ)	Isat ² (A)	Ir ³ (A)	C (mm) MAX
HMP2413-2R0	2.0	1.44	0.5±10%	63	80	13.0

1. Tolerance of inductance : ± 10%
2. Isat is the DC current which causes the inductance drop not less than Li
3. Ir is the DC current which causes the surface temperature of the part increase approximately 45 °C.
4. Operating temperature: -40°C to 125°C (Self-temperature rise included).