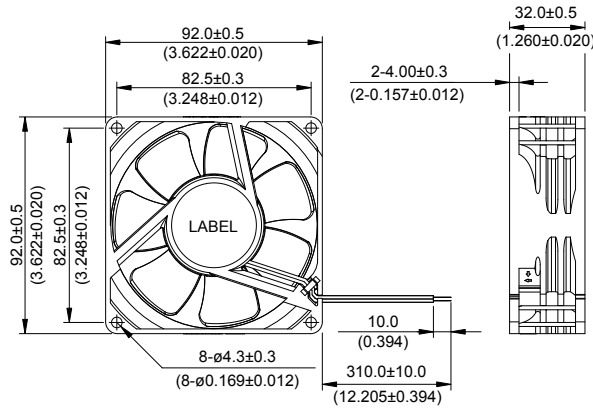


# AFB 92 x 92 x 32 MM SERIES

## DIMENSIONS DRAWING

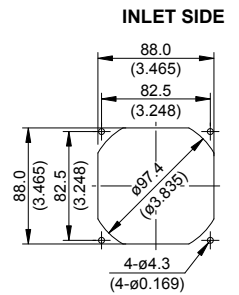
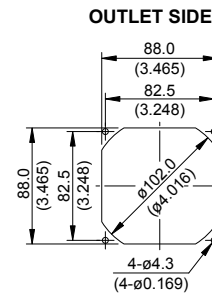
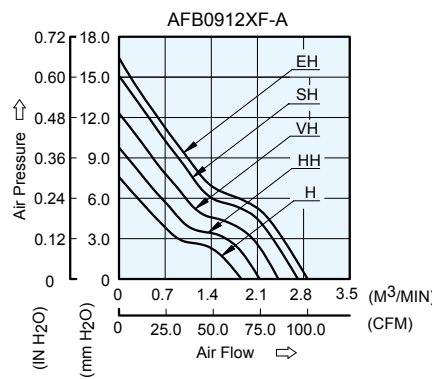


UNIT:  $\frac{\text{mm}}{\text{(INCH)}}$

- \* Bearing Type  
Ball Bearings
- \* Material  
Impeller & Pillow : Plastic (UL 94V-0)
- \* Lead Wires :  
UL 1007 AWG #24 OR Equivalent  
Red Wire Positive(+)  
Black Wire Negative(-)
- \* Weight : 180g (6.35 oz)

## P & Q CURVE (AT RATED VOLTAGE)

## MOUNTING PANEL CUTOUT



UNIT:  $\frac{\text{mm}}{\text{(INCH)}}$

MODEL			Rated Voltage	Operating Voltage Range	Input Current	Input Power	Speed	Maximum Air Flow		Maximum Air Pressure		Noise
PART NO.	REV.	FUNCTION	VDC	VDC	Amp	Watt	R.P.M.	m <sup>3</sup> /min	CFM	mmH <sub>2</sub> O	IN H <sub>2</sub> O	dB-A
AFB0912HF	-A	-R00/-F00	12	7.0 to 13.2	0.21	2.52	3300	1.857	65.60	7.58	0.298	38.0
AFB0912HHF	-A	-R00/-F00	12	7.0 to 13.2	0.28	3.36	3800	2.133	75.31	9.76	0.384	43.0
AFB0912VHF	-A	-R00/-F00	12	7.0 to 13.2	0.42	5.04	4300	2.417	85.34	12.31	0.485	47.0
AFB0912SHF	-A	-R00/-F00	12	7.0 to 13.2	0.60	7.20	4800	2.714	95.83	15.10	0.594	49.0
AFB0912EHF	-A	-R00/-F00	12	7.0 to 13.2	0.66	7.92	5000	2.861	101.04	16.43	0.647	50.0

\* Function type is optional.  
 \* The max. air flow and the speed are measured in free air ; max. air pressure is measured at zero air flow.  
 \* Noise is measured in anechoic chamber in free air, one meter from intake side.  
 \* All readings are typical values at rated voltage.  
 \* Specifications are subject to change without notice.