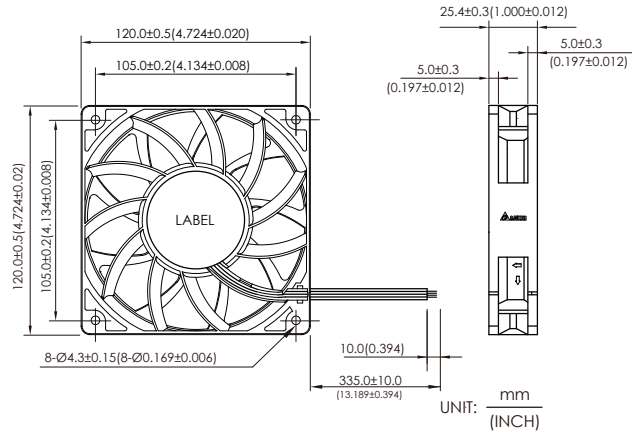


# THB 120 x 25.4 MM SERIES

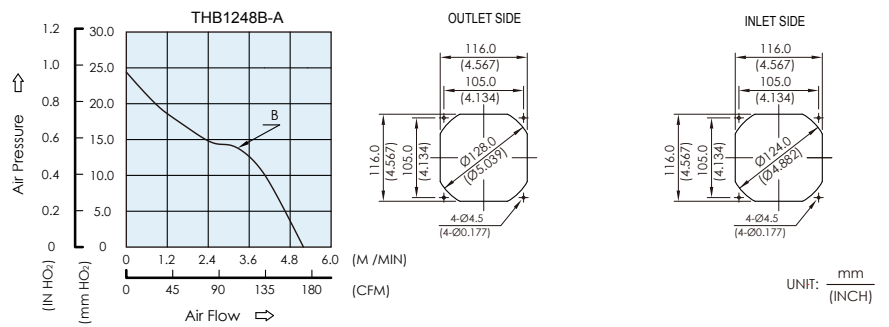
## DIMENSIONS DRAWING



- \* Bearing Type  
Ball Bearings
- \* Material  
Impeller : Plastic (UL 94V-0)  
Frame : Plastic(UL 94V-0)
- \* Lead Wires :  
UL 1430 AWG #24 OR Equivalent  
Red Wire Positive(+)  
Black Wire Negative (-)  
UL 1430 AWG #26 OR Equivalent  
Blue Wire (F00)  
Yellow Wire (PWM)
- \* Weight : 198g (6.98 oz)

## P & Q CURVE (AT RATED VOLTAGE)

## MOUNTING PANEL CUTOUT



MODEL			Rated Voltage	Operating Voltage Range	Rated Current	Rated Input Power	Speed	Maximum Air Flow		Maximum Air Pressure		Noise
PART NO.	REV.	FUNCTION	VDC	VDC	Amp	Watt	R.P.M.	m <sup>3</sup> /min	CFM	mmH <sub>2</sub> O	IN H <sub>2</sub> O	dB-A
THB1248B	-A	PWM/F00	48	36.0 to 75.0	0.40	19.20	5300	5.280	186.57	24.43	0.962	59.0

\* The max. air flow and the speed are measured in free air ; max. air pressure is measured at zero air flow.  
 \* Noise is measured in anechoic chamber in free air, one meter from intake side.  
 \* All readings are typical values at rated voltage.  
 \* Specifications are subject to change without notice.